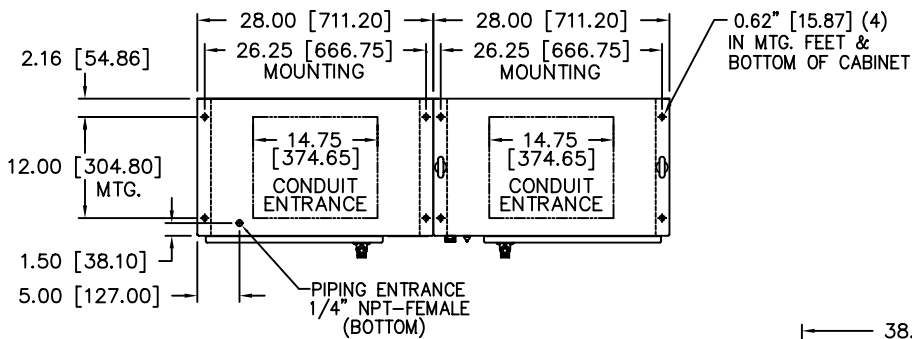


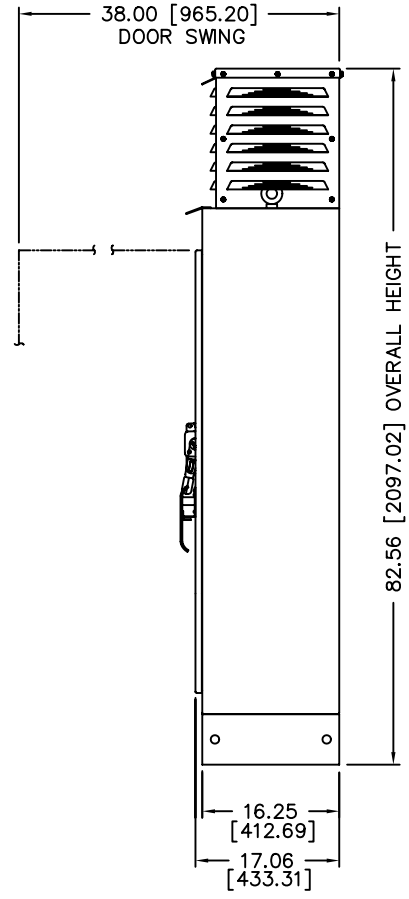
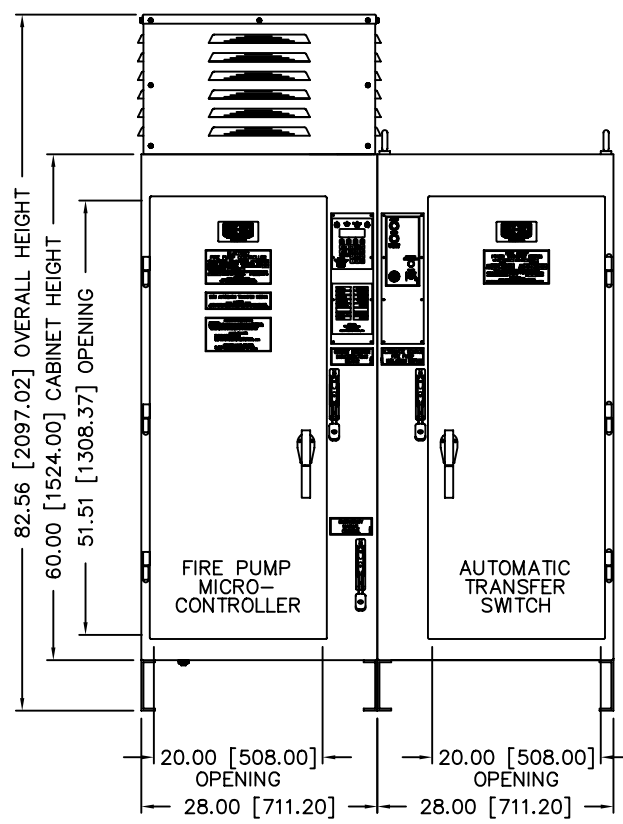
Dimensions and Data

Combination Full Service Fire Pump Controller And LX-450 Automatic Transfer Switch Primary Resistance

LXi-2400

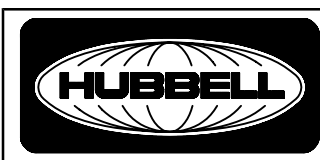


DIMENSIONS SUBJECT TO CHANGE WITHOUT NOTICE. ALWAYS CONSULT FACTORY TO CONFIRM CURRENT INFORMATION.



RATINGS	HP	VOLTS	WITHSTAND	ENCLOSURE TYPE
ORDER INFORMATION	15-60	200-208V.	100,000 A (STD)	NEMA 2 (STD.)
	15-75	220-240V.		NEMA 3R
	15-60	380-415V.	150,000 A	NEMA 12
	15-40	440-480V.		NEMA 4 (NOT SHOWN *)
	15-50	550-600V.	200,000 A	NEMA 4X (NOT SHOWN *)
SELECT	HP	VOLTS	WITHSTAND	ENCLOSURE TYPE

NOTES:
 -ENCLOSURE MADE FROM 11 GA. STEEL
 -FINISH: RED EPOXY-POLYESTER
 -NO KNOCKOUTS
 -BOTTOM or TOP CONDUIT ENTRY
 -PROTECT INTERNAL EQUIPMENT FROM DRILLING CHIPS
 -FLOOR MOUNTING
 -"[]" INDICATES METRIC (mm) DIMENSIONS
 *-SAME OUTSIDE DIMENSIONS



HUBBELL / INDUSTRIAL CONTROLS, INC.
 4301 Cheyenne Drive, Archdale, N.C. 27263

DATE:	REV.
11/05/2002	-
DRAWING NUMBER:	
24CE0011	